

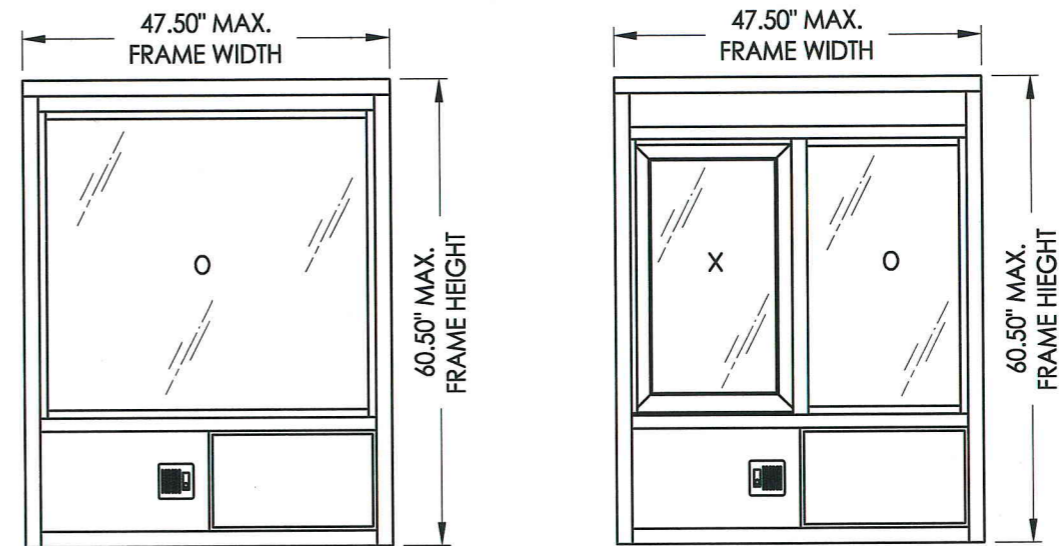


1815 Arthur Drive ▪ West Chicago, Illinois 60185

READY ACCESS DRIVE THROUGH WINDOW "IMPACT"

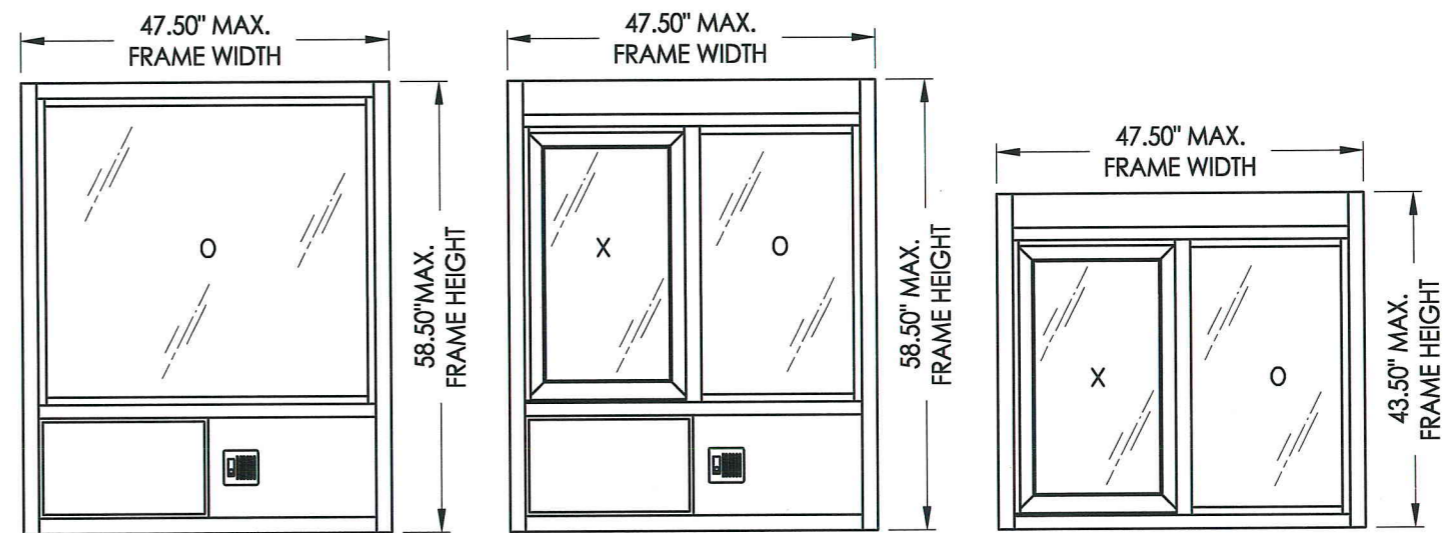
GENERAL NOTES

1. This product has been evaluated and is in compliance with the 2007 Florida Building Code (FBC) structural requirements excluding the "High Velocity Hurricane Zone" (HVHZ).
2. Product anchors shall be as listed and spaced as shown on details. Anchor embedment to base material shall be beyond wall dressing or stucco.
3. When used in areas requiring wind borne debris protection this product complies with Section 1609.1.2 of the FBC and does not require an impact resistant covering. This product meets missile level "D" and includes Wind Zone 4 as defined in ASTM E1996.
4. For 2x stud framing construction, anchoring of these units shall be the same as that shown for 2x buck masonry construction.
5. Site conditions that deviate from the details of this drawing require further engineering analysis by a licensed engineer or registered architect.



604 SERIES WINDOW

602 SERIES WINDOW



603 SERIES WINDOW

601 SERIES WINDOW

600 SERIES WINDOW

MODEL	OVERALL FRAME DIMENSION	OVERALL D.L.O. DIMENSION	GLASS TYPE	WHEN WATER INFILTRATION REQ'D		WHEN WATER INFILTRATION NOT REQ'D	
				+	-	+	-
600	47.50" x 43.50"	(O) 19.62" x 33.78" (X) 16.14" x 30.18"	G1	+75.0	-75.0	+75.0	-75.0
601	47.50" x 58.50"	(O) 19.62" x 33.78" (X) 16.14" x 30.18"		+42.0	-42.0	+75.0	-75.0
602	47.50" x 60.50"	(O) 19.62" x 33.78" (X) 16.14" x 30.18"		+42.0	-42.0	+75.0	-75.0
603	47.50" x 58.50"	(O) 41.49" x 37.78"		+42.0	-42.0	+75.0	-75.0
604	47.50" x 60.50"	(O) 41.49" x 37.78"		+42.0	-42.0	+75.0	-75.0

TABLE OF CONTENTS	
SHEET #	DESCRIPTION
1	Typical elevations, design pressures & general notes
2	600 Series window sections & details
3	601 Series window sections & details
4	602 Series window sections & details
5	603 Series window sections & details
6	604 Series window sections & details
7	Anchoring
8	Components
9	Bill of materials, components & glazing details

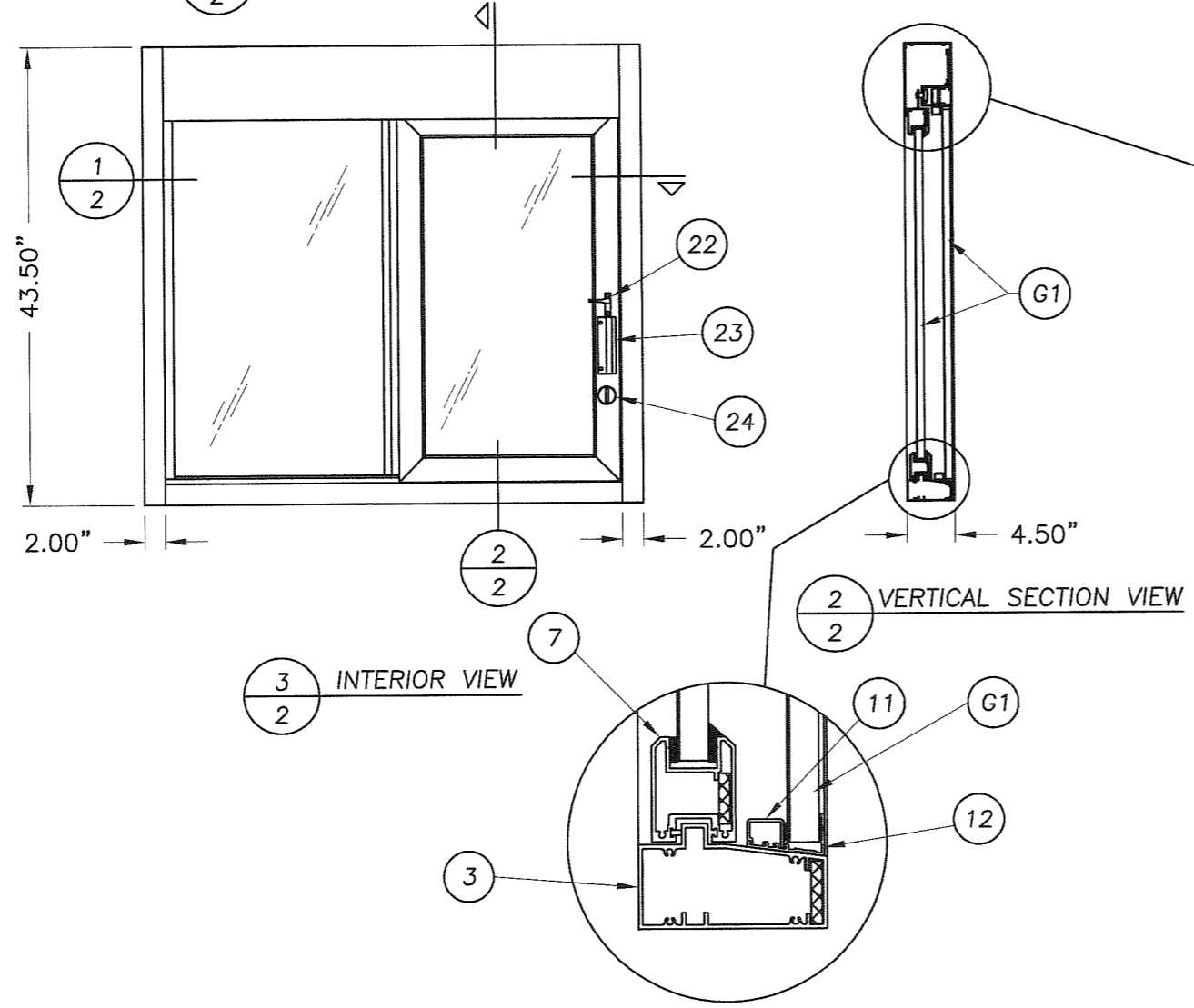
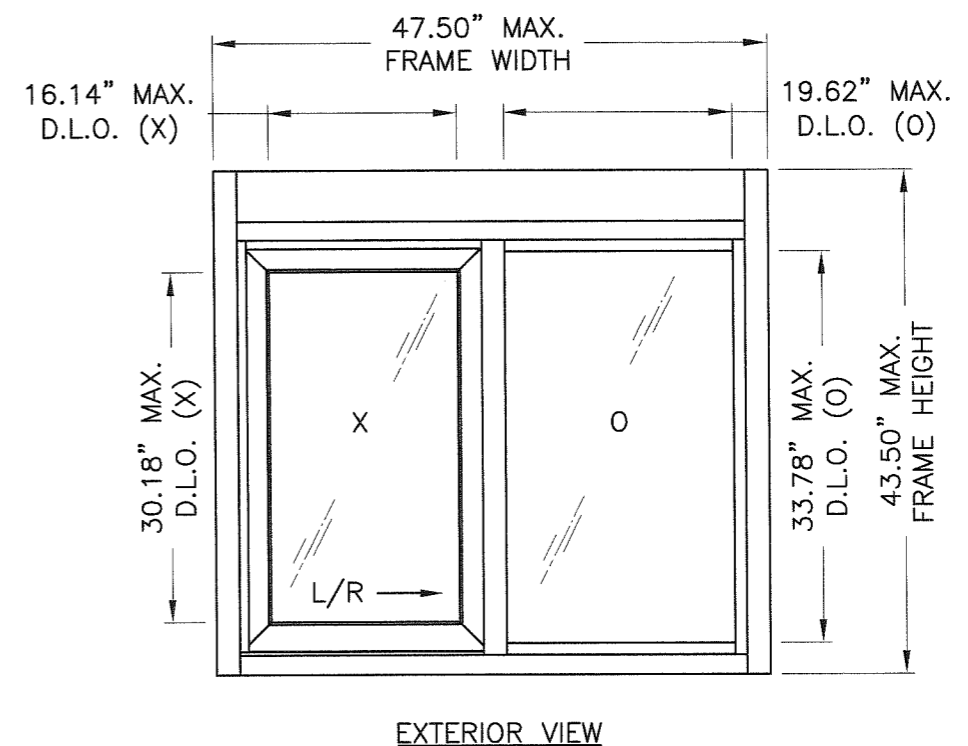
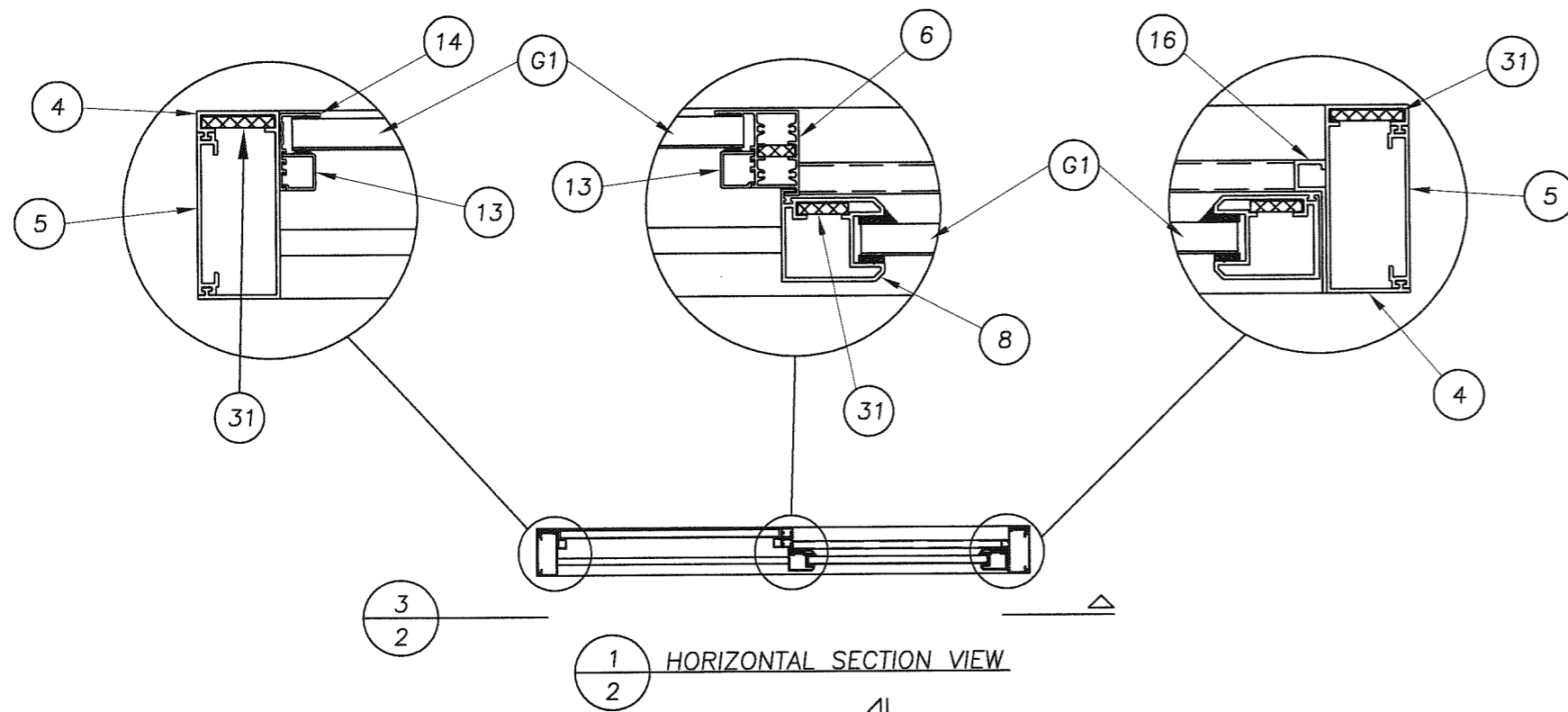
Documents Prepared By:
R.W. BUILDING CONSULTANTS, INC.
 P.O. Box 230 Valrico FL 33595
 Phone No.: 813.659.9197
 Florida Board of Professional Engineers
 Certificate Of Authorization No. 9813
LFS 10.1.08
 Lyndon F. Schmidt, P.E. No. 43409

PRODUCT: READY ACCESS DRIVE THROUGH WINDOW "IMPACT"
 PART OR ASSEMBLY: TYPICAL ELEVATIONS, DESIGN PRESSURES & GENERAL NOTES

NO.	DATE	BY

DATE: 9/10/08
 SCALE: N.T.S.
 DWG. BY: DT
 CHK. BY: LFS
 DRAWING NO.: FL-5102.1
 SHEET 1 OF 9

R:\A - Projects\Project Folders\proj 650 - 800\p709 R1\D. RWBC Drawings\FL-5102.1-2\FL-5102.1-2.dwg, Model



Documents Prepared By:
RW BUILDING CONSULTANTS, INC.
 P.O. Box 230 Valrico FL 33595
 Phone No.: 813.659.9197
 Florida Board of Professional Engineers
 Certificate Of Authorization No. 9813
10/10/08
 Lyndon F. Schmidt, P.E. No. 43409

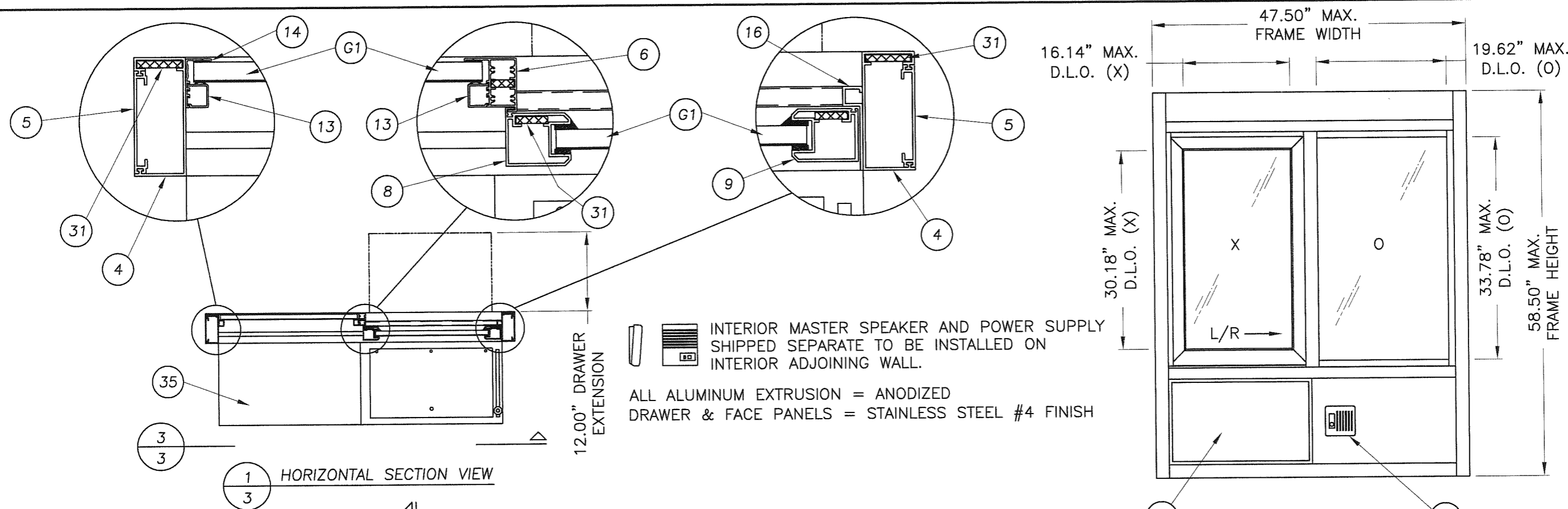
PRODUCT: READY ACCESS DRIVE THROUGH WINDOW "IMPACT"
 PART OR ASSEMBLY: 600 SERIES WINDOW SECTIONS & DETAILS



NO.	DATE	BY

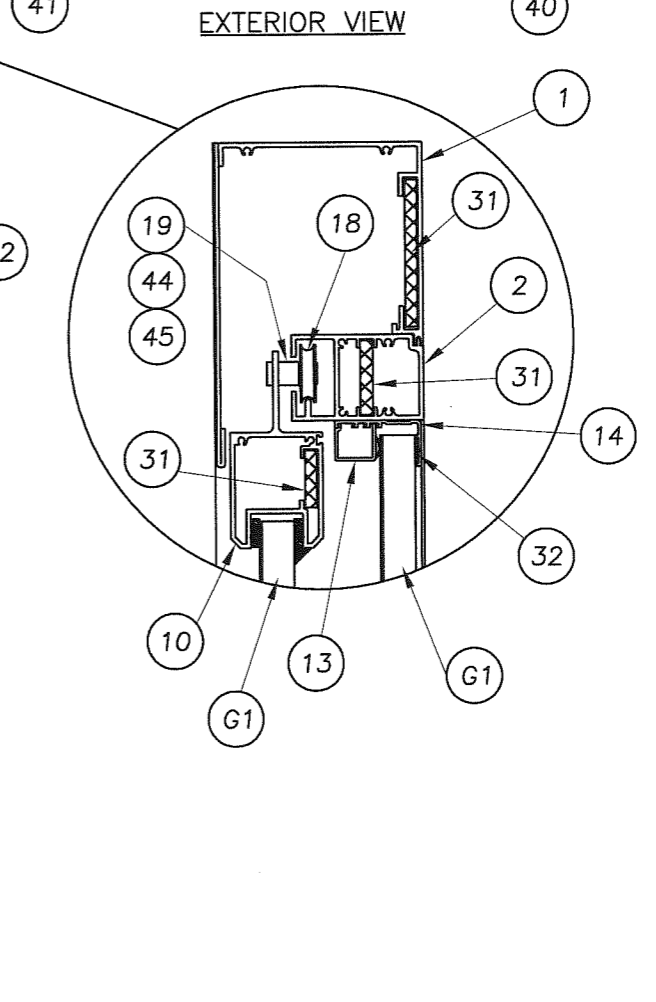
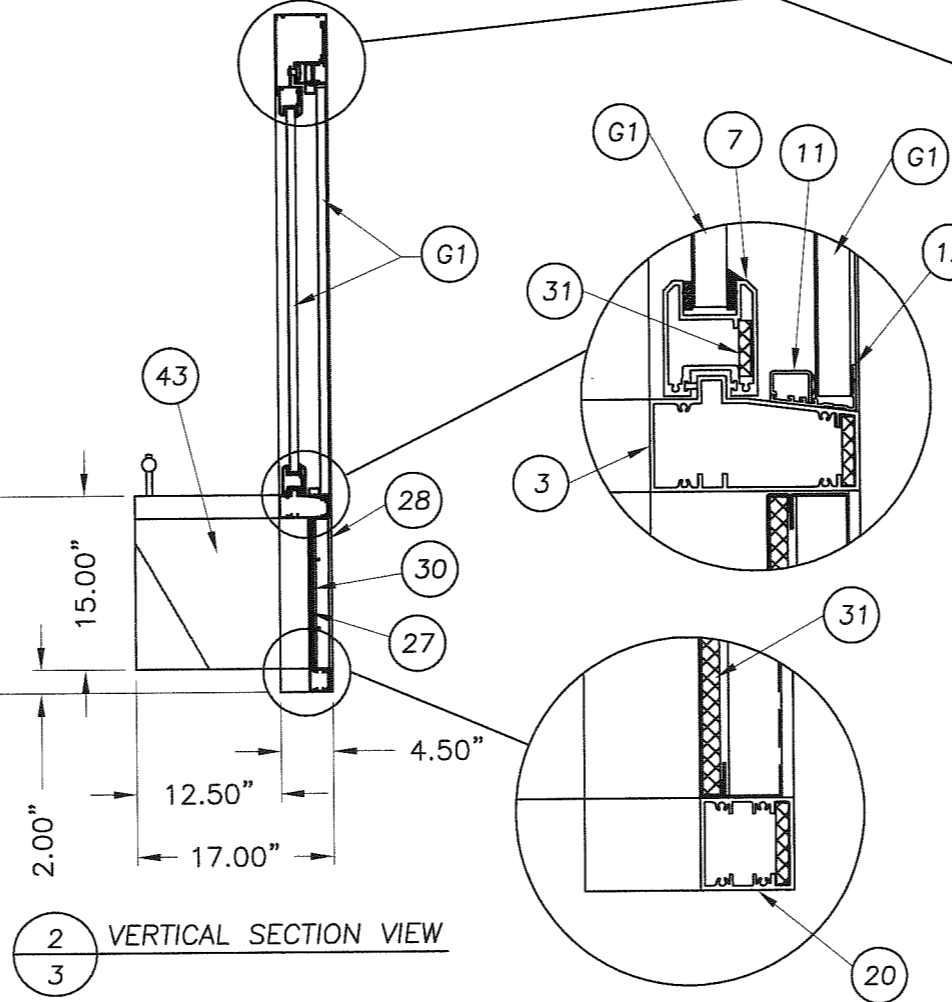
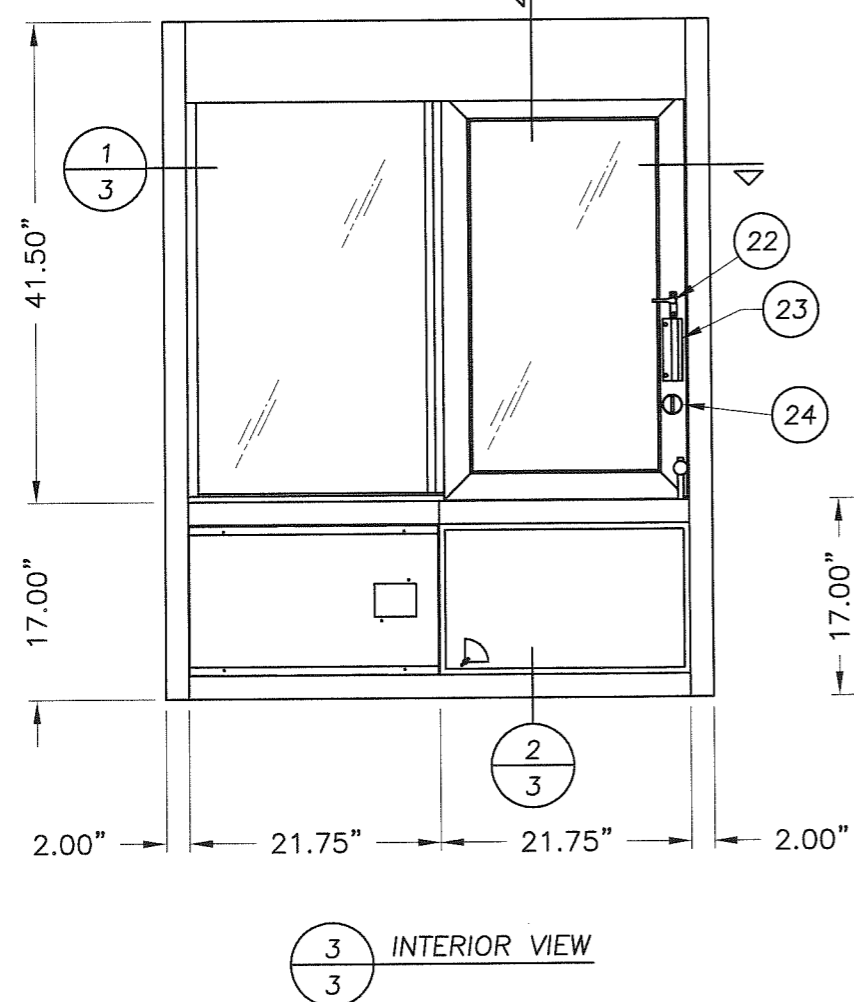
REVISIONS

DATE: 9/10/08
 SCALE: N.T.S.
 DWG. BY: DT
 CHK. BY: LFS
 DRAWING NO.: FL-5102.1
 SHEET 2 OF 9

R:\A - Projects\Project Folders\proj 650 - 800\p709\PF709 R\1\D. RWBC Drawings\FL-5102.1-2\FL-5102.1-2.dwg, Model

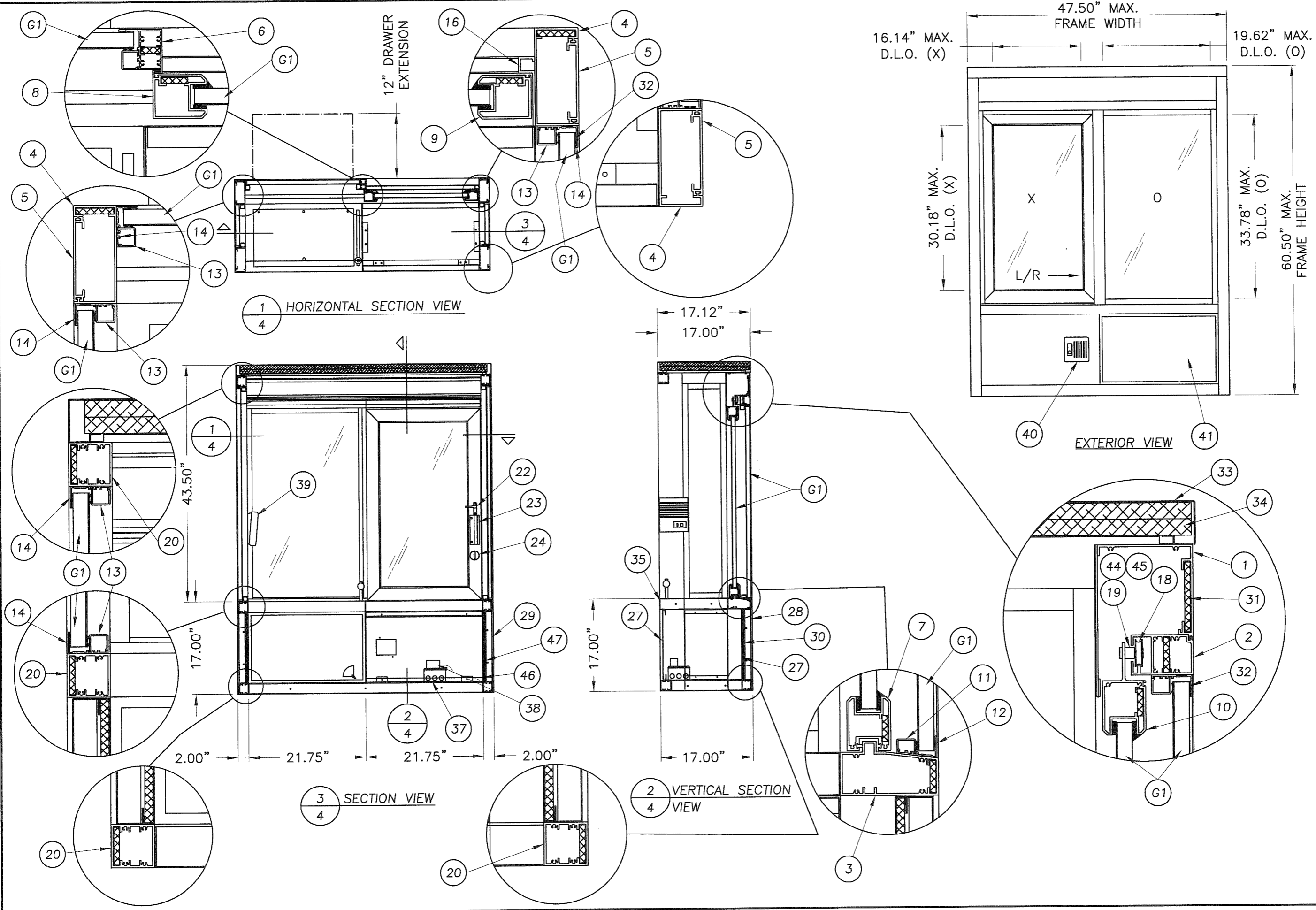




 INTERIOR MASTER SPEAKER AND POWER SUPPLY SHIPPED SEPARATE TO BE INSTALLED ON INTERIOR ADJOINING WALL.
 ALL ALUMINUM EXTRUSION = ANODIZED
 DRAWER & FACE PANELS = STAINLESS STEEL #4 FINISH

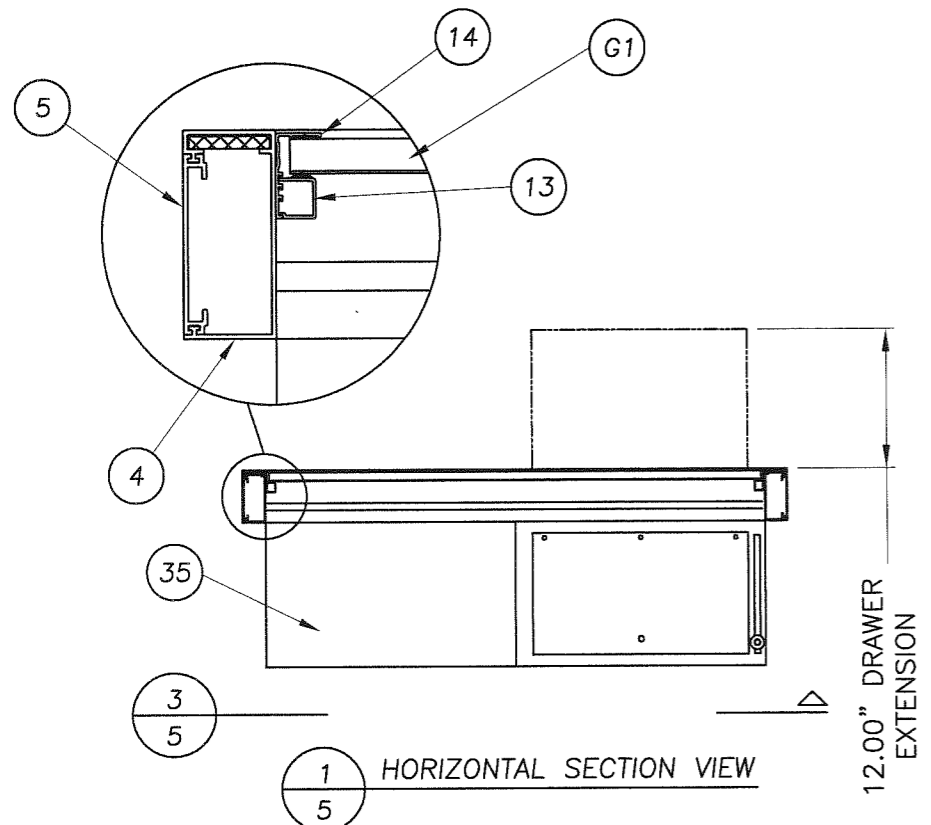




Documents Prepared By: RW BUILDING CONSULTANTS, INC. P.O. Box 230 Valrico FL 33595 Phone No.: 813.659.9197 Florida Board of Professional Engineers Certificate of Authorization No. 9813 <i>LF</i> 10/10/08 Lyndon F. Schmidt, P.E. No. 43409	
PRODUCT: READY ACCESS DRIVE THROUGH WINDOW "IMPACT"	PART OR ASSEMBLY: 601 SERIES WINDOW SECTIONS & DETAILS
NO. DATE BY	REVISIONS
DATE: 9/10/08 SCALE: N.T.S. DWG. BY: DT CHK. BY: LFS DRAWING NO.: FL-5102.1 SHEET 3 OF 9	

R:\A - Projects\Project Folders\proj 650 - 800\p709 R\ID. RWBC Drawings\FL-5102.1-2\FL-5102.1-2.dwg, Model

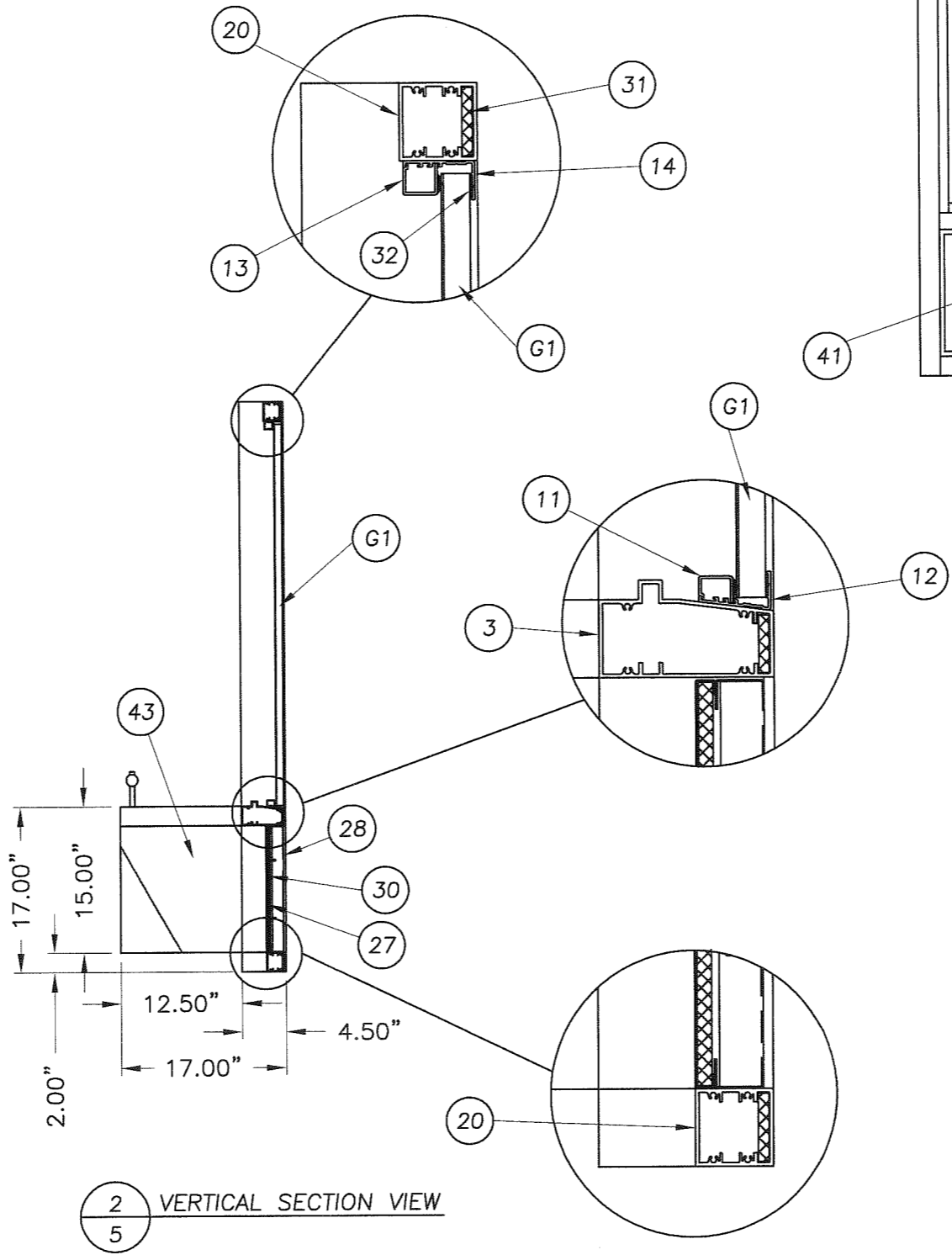
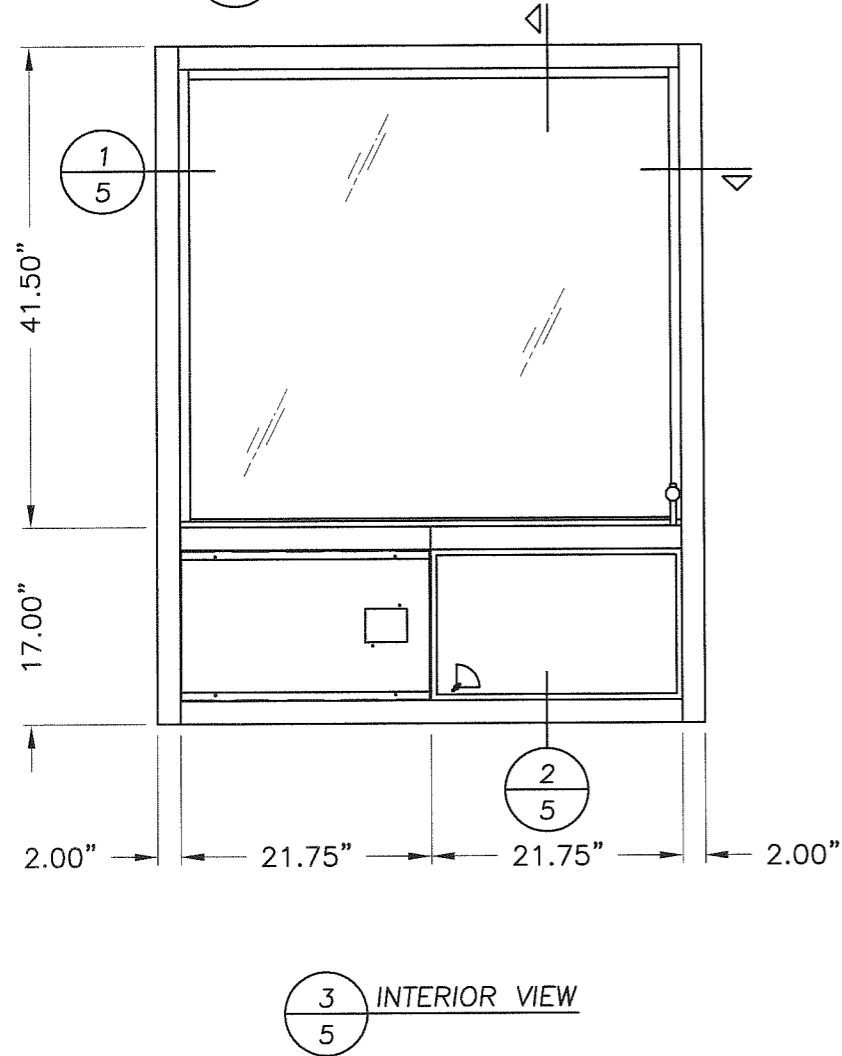
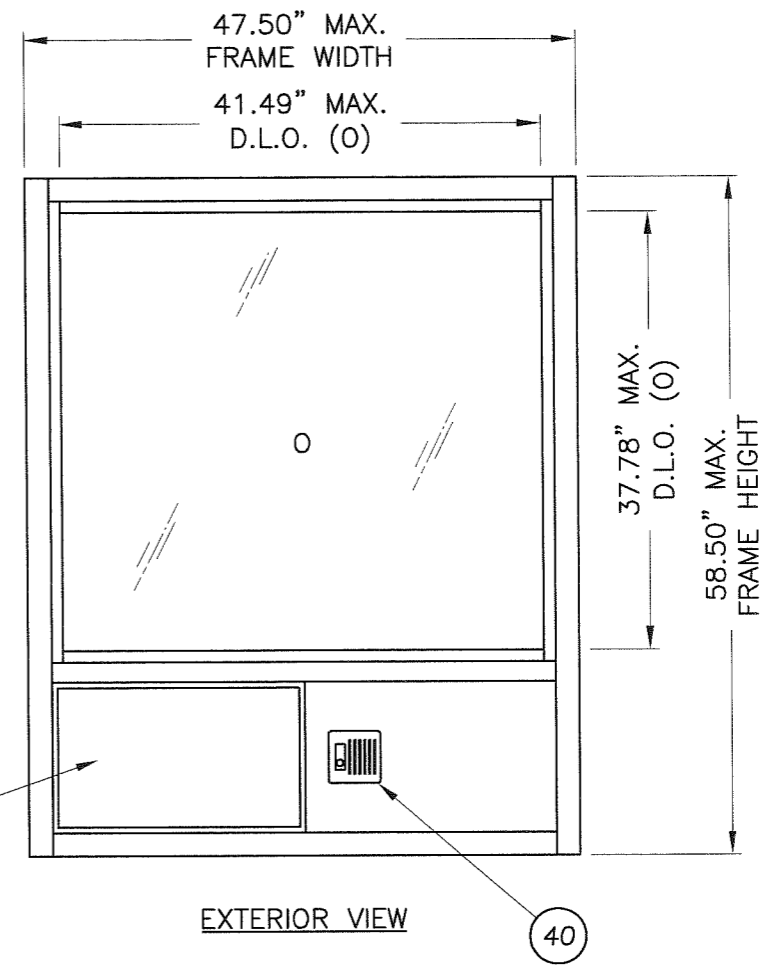


Documents Prepared By: RW BUILDING CONSULTANTS, INC. P.O. Box 230 Valrico FL 33595 Phone No.: 813.659.9197 Florida Board of Professional Engineers Certificate Of Authorization No. 9813 <i>LFS</i> 10-1-08 Lyndorf F. Schmidt, P.E. No. 43409		
PRODUCT: READY ACCESS DRIVE THROUGH WINDOW "IMPACT"	PART OR ASSEMBLY: 602 SERIES WINDOW SECTIONS & DETAILS	
NO.	DATE	BY
REVISIONS	DATE	BY
DATE: 9/10/08		SCALE: N.T.S.
DWG. BY: DT		CHK. BY: LFS
DRAWING NO.: FL-5102.1		SHEET 4 OF 9



  INTERIOR MASTER SPEAKER AND POWER SUPPLY SHIPPED SEPARATE TO BE INSTALLED ON INTERIOR ADJOINING WALL.

ALL ALUMINUM EXTRUSION = ANODIZED
DRAWER & FACE PANELS = STAINLESS STEEL #4 FINISH



Documents Prepared By: **RW** BUILDING CONSULTANTS, INC.
P.O. Box 230 Valrico FL 33595
Phone No.: 813.659.9197
Florida Board of Professional Engineers
Certificate Of Authorization No. 9813
LF
Lyndon F. Schmidt, P.E. No. 43409

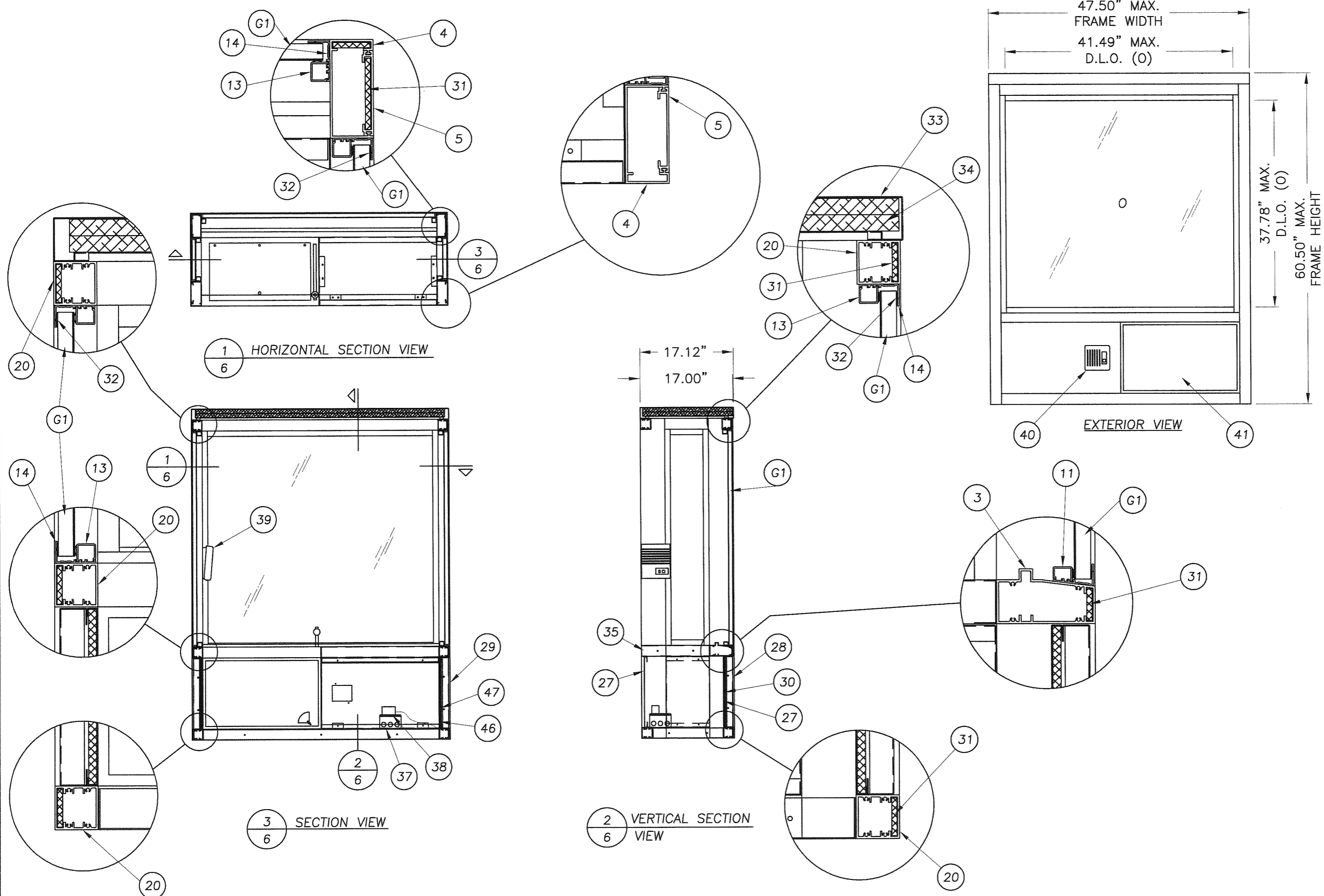
PRODUCT: READY ACCESS DRIVE THROUGH WINDOW "IMPACT"

PART OR ASSEMBLY: 603 SERIES WINDOW SECTIONS & DETAILS

NO.	DATE	BY

DATE: 9/10/08
SCALE: N.T.S.
DWG. BY: DT
CHK. BY: LFS
DRAWING NO.: FL-5102.1
SHEET 5 OF 9

R:\A - Projects\Project Folders\proj 650 - 800\p709\p709 R1\1 D. RWBC Drawings\FL-5102.1-2\FL-5102.1-2.dwg, Model



Documents Prepared By:
RW BUILDING CONSULTANTS, INC.
P.O. Box 230 Valrico FL 33595
Phone No.: 813.659.9197
Florida Board of Professional Engineers
Certificate of Authorization No. 9813
LFS
Lyndon F. Schmidt, P.E. No. 43409

PRODUCT:
READY ACCESS DRIVE THROUGH WINDOW "IMPACT"

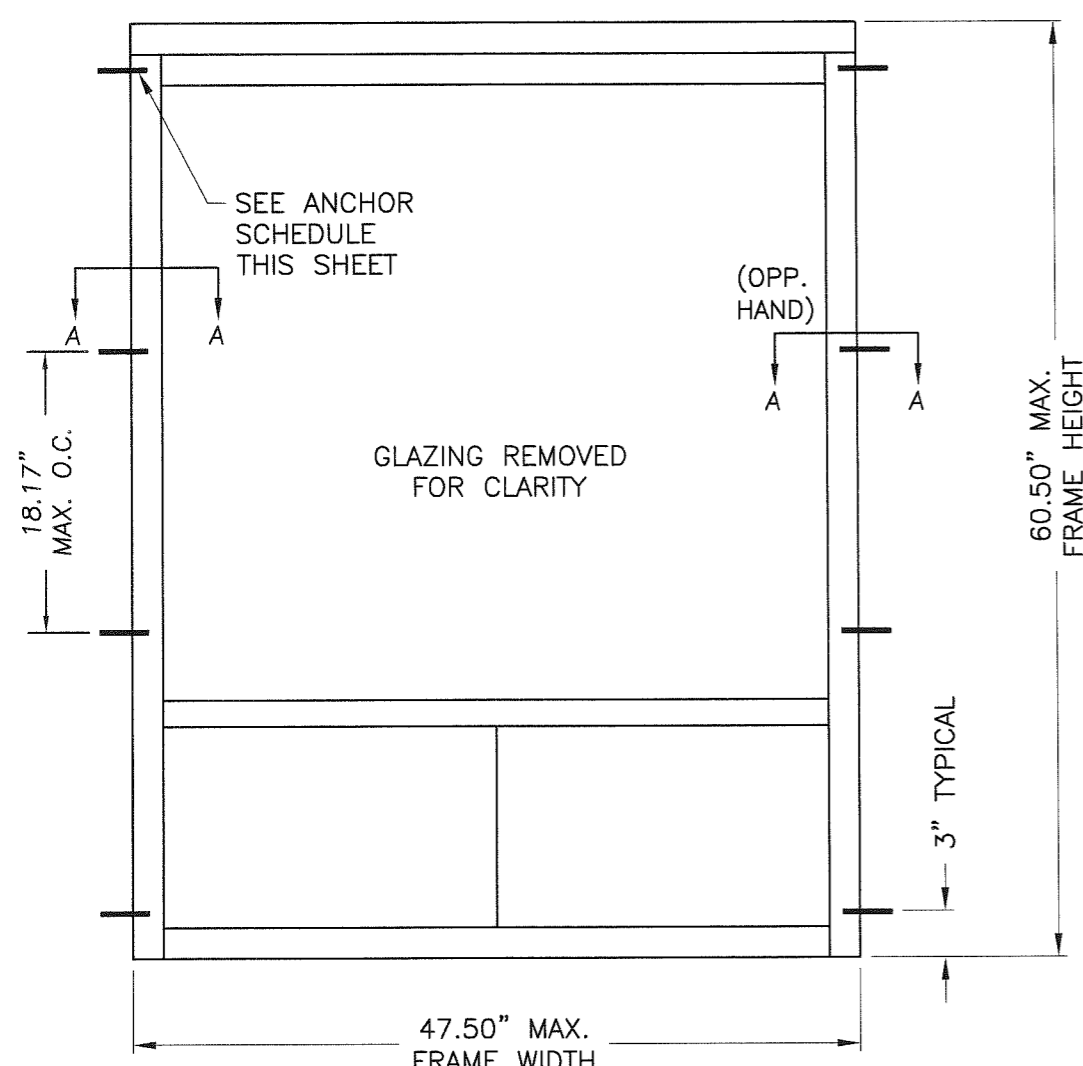
PART OR ASSEMBLY:
604 SERIES WINDOW SECTIONS & DETAILS

NO.	DATE	BY	REVISIONS

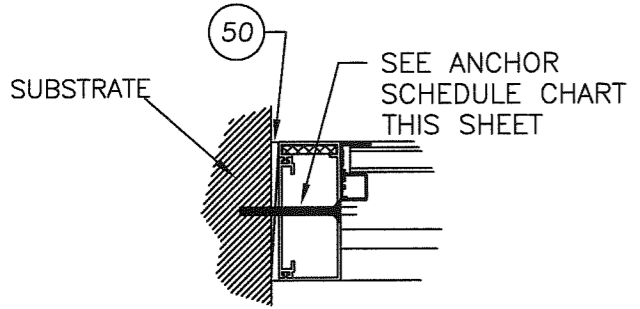
DATE: 9/10/08
SCALE: N.T.S.
DWG. BY: DT
CHK. BY: LFS
DRAWING NO.: FL-5102.1
SHEET 6 OF 9

© 2008 R.W. BUILDING CONSULTANTS INC.

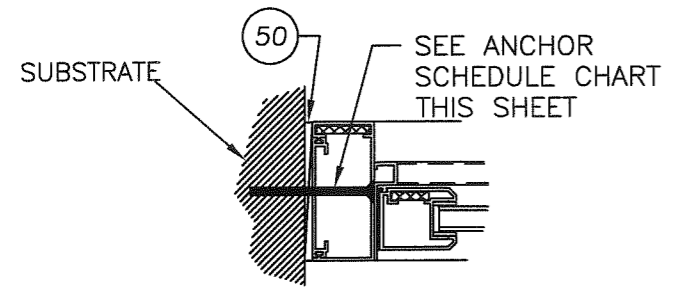
K:\14 - Projects\project folders\proj 550 - 550\101\501\501.dwg - 550\101\501\501.dwg - 550\101\501\501.dwg - 550\101\501\501.dwg - 550\101\501\501.dwg



603 AND 604 SERIES WINDOW

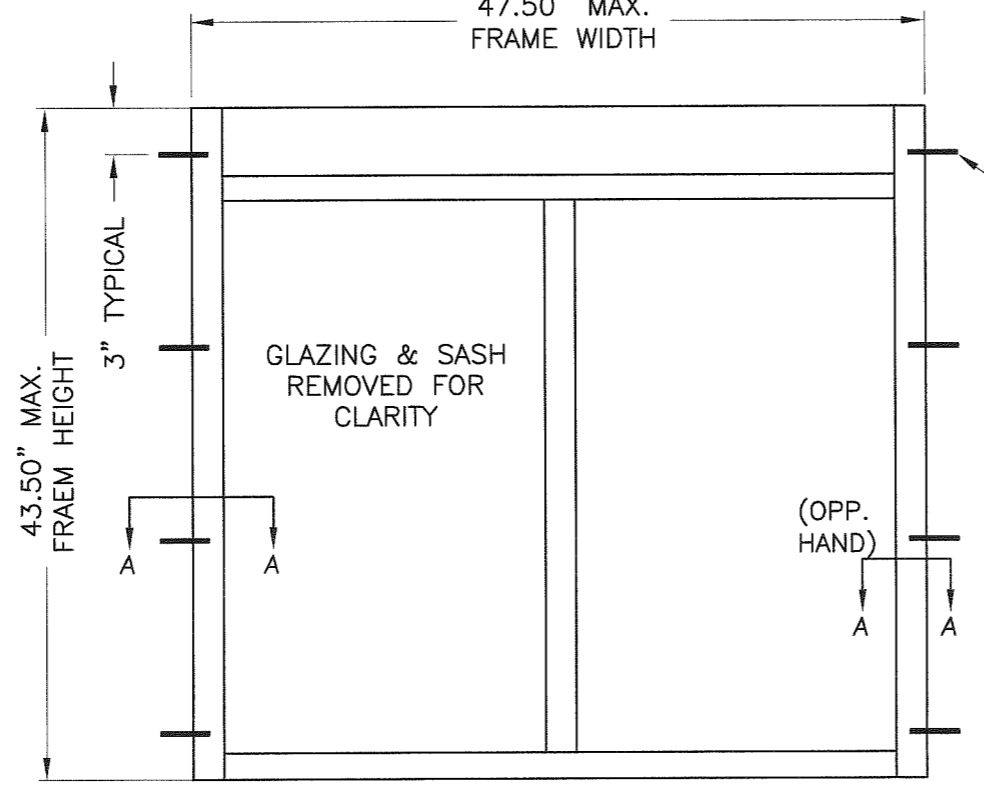


SECTION AA
FIXED WINDOW PANEL

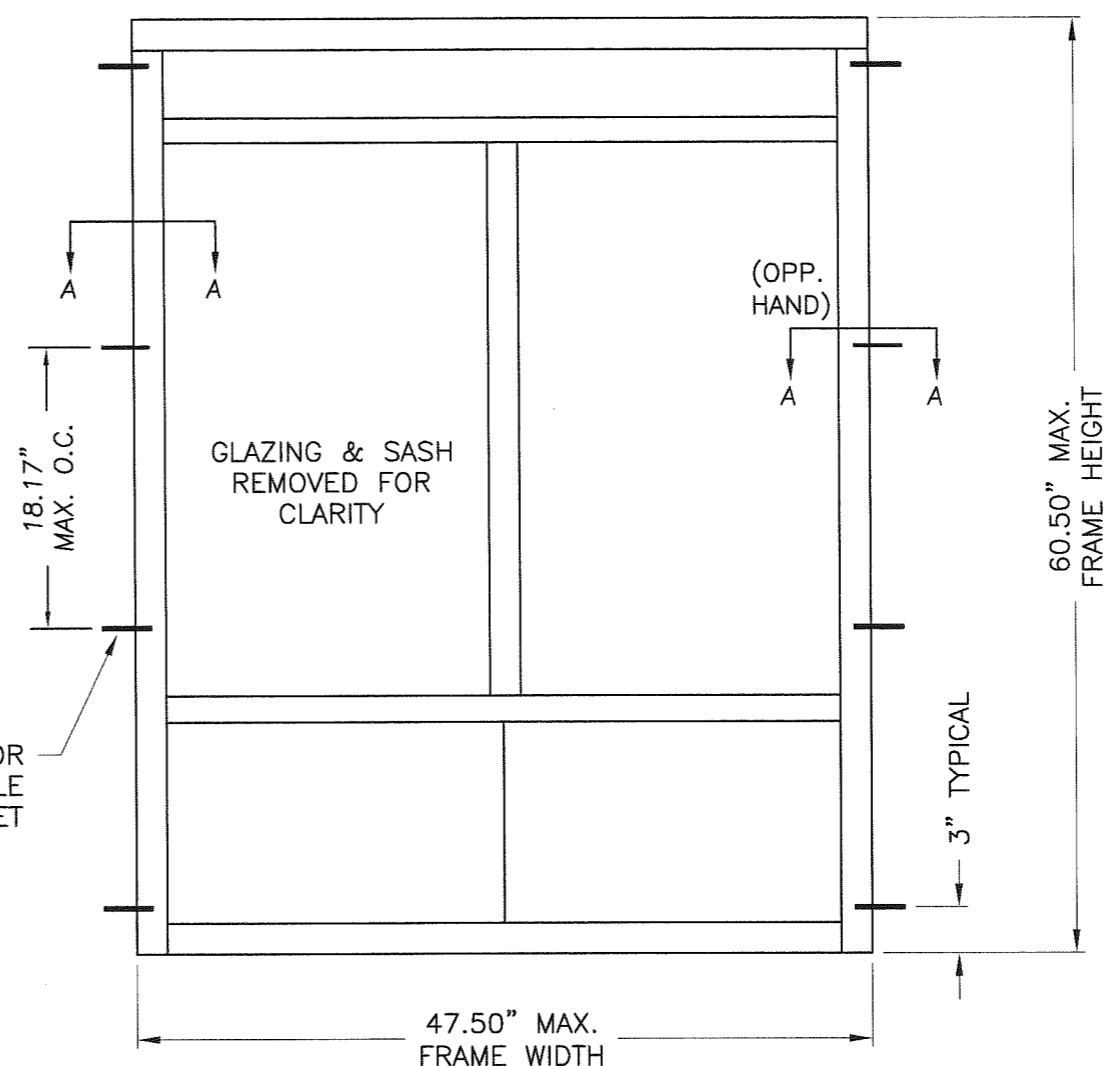


SECTION AA
ACTIVE WINDOW PANEL

600 SERIES WINDOW



SEE ANCHOR
SCHEDULE
THIS SHEET



601 AND 602 SERIES WINDOW

ANCHOR SCHEDULE	
SUBSTRATE	ANCHOR
CONCRETE:	1/4" DIA. ITW CONCRETE SCREW WITH 1.25" MIN. EMBEDMENT, 2.5" MIN EDGE DISTANCE & 3" MIN. CL DISTANCE. 3,192 PSI CONCRETE CONFORMING TO ACI 301
STEEL:	1/4-20 HILTI KWIK PRO SMS WITH KWIK COTE COATING STEEL CONFORMING TO ASTM A36, GRADE 33, 16 GA. MIN.
WOOD:	# 14 WOOD SCREW WITH 1.674" MIN. EMBEDMENT SG = 0.55 OR BETTER

Documents Prepared By:
RW BUILDING CONSULTANTS, INC.
 P.O. Box 230 Vairico FL 33595
 Phone No.: 813.659.9197
 Florida Board of Professional Engineers
 Certificate of Authorization No. 9813
[Signature] 10-1-08
 Lyndon F. Schmidt, P.E. No. 43409

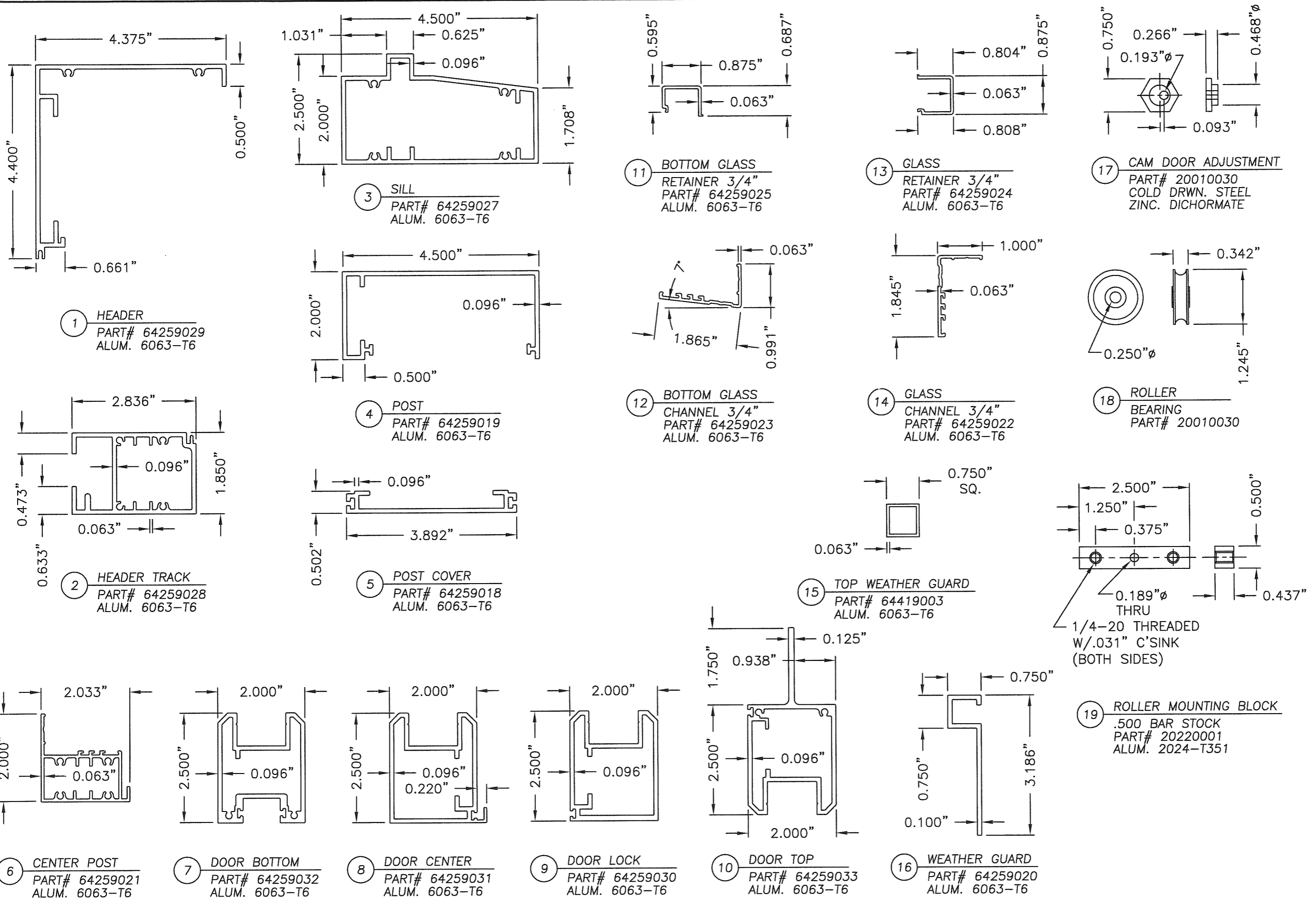
PRODUCT: READY ACCESS DRIVE THROUGH WINDOW "IMPACT"
 PART OR ASSEMBLY: ANCHORING

NO.	DATE	BY	REVISIONS

DATE: 9/10/08
 SCALE: N.T.S.
 DWG. BY: DT
 CHK. BY: LFS
 DRAWING NO.: FL-5102.1
 SHEET 7 of 9

© 2008 R.W. BUILDING CONSULTANTS INC.

R:\A - Projects\Project Folders\proj 650 - 800\p709\p709 R1\1D. RWBC Drawings\FL-5102.1-2\FL-5102.1-2.dwg, Model



Documents Prepared By: *RW* BUILDING CONSULTANTS, INC.
P.O. Box 230 Valrico FL, 33595
Phone No.: 813.659.9197
Florida Board of Professional Engineers
Certificate of Authorization No. 9813
Lyndon F. Schmidt
Lyndon F. Schmidt, P.E. No. 43409

PRODUCT: READY ACCESS DRIVE THROUGH WINDOW "IMPACT"

PART OR ASSEMBLY: COMPONENTS

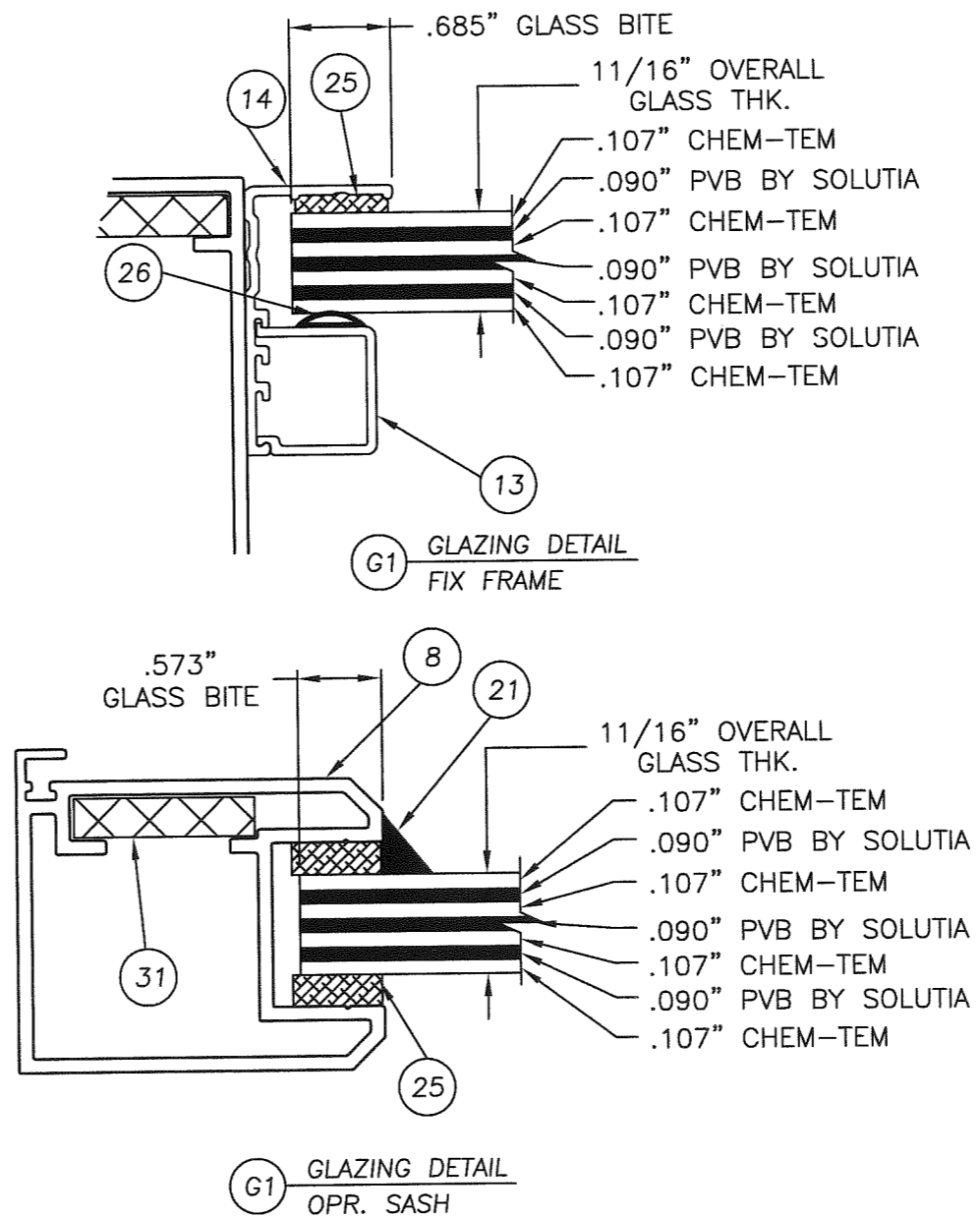
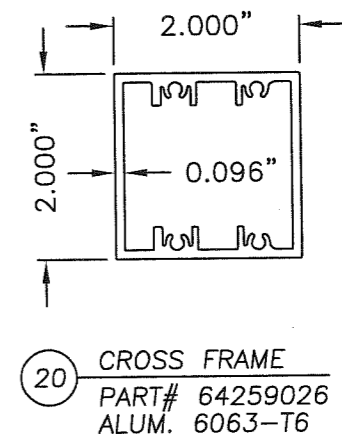
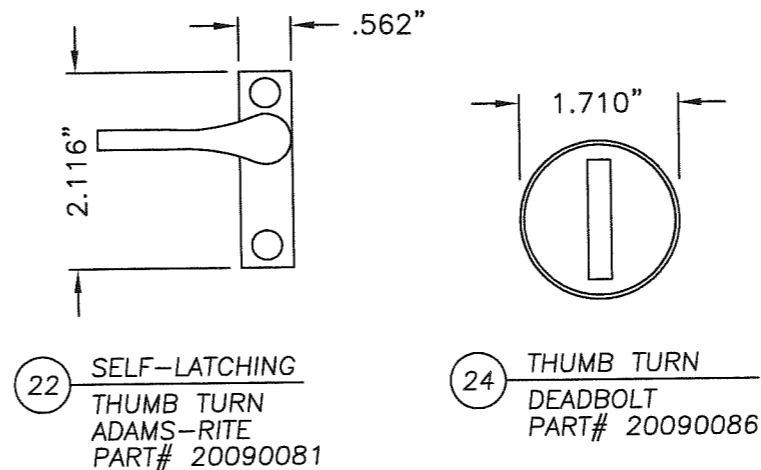
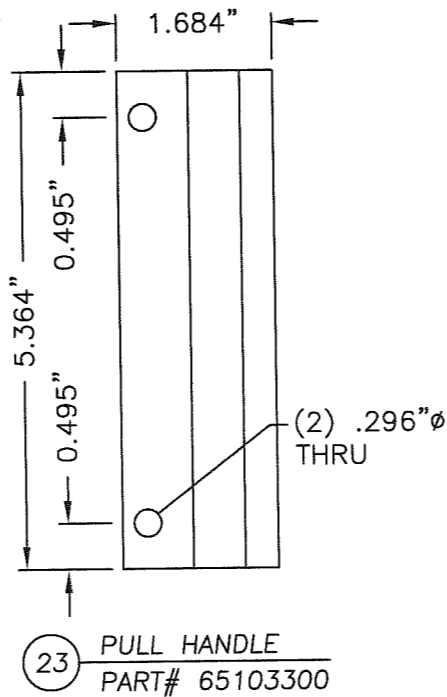
NO.	DATE	BY

REVISIONS

DATE: 9/10/08
SCALE: N.T.S.
DWG. BY: DT
CHK. BY: LFS
DRAWING NO.: FL-5102.1
SHEET 8 OF 9

© 2008 R.W. BUILDING CONSULTANTS INC.

ITEM	DESCRIPTION	MATERIAL
1	HEADER PART# 64259029 ALUM. 6063-T6	ALUM.
2	HEADER TRACK PART# 64259028 ALUM. 6063-T6	ALUM.
3	SILL PART# 64259027 ALUM. 6063-T6	ALUM.
4	POST PART# 64259019 ALUM. 6063-T6	ALUM.
5	POST COVER PART# 64259018 ALUM. 6063-T6	ALUM.
6	CENTER POST PART# 64259021 ALUM. 6063-T6	ALUM.
7	DOOR BOTTOM PART# 64259032 ALUM. 6063-T6	ALUM.
8	DOOR CENTER PART# 64259031 ALUM. 6063-T6	ALUM.
9	DOOR LOCK PART# 64259030 ALUM. 6063-T6	ALUM.
10	DOOR TOP PART# 64259033 ALUM. 6063-T6	ALUM.
11	GLASS RETAINER (3/4") PART# 64259025 ALUM. 6063-T6	ALUM.
12	BOTTOM GLASS CHANNEL (3/4") PART# 64259023 ALUM. 6063-T6	ALUM.
13	GLASS RETAINER (3/4") PART# 64259024 ALUM. 6063-T6	ALUM.
14	GLASS CHANNEL (3/4") PART# 64259022 ALUM. 6063-T6	ALUM.
15	TOP WEATHER GUARD PART# 64419003 ALUM. 6063-T6	ALUM.
16	WEATHER GUARD PART# 64259020 ALUM. 6063-T6	ALUM.
17	CAM DOOR ADJUSTMENT PART# 00651433 STEEL ZINC.	STEEL
18	ROLLER TRACK BEARING PART# 20010030	-
19	ROLLER MOUNTING BLOCK PART# 20220001 ALUM. 2024-T351	TPS
20	CROSS FRAME PART# 64259025 ALUM. 6063-T6	ALUM.
21	SILICONE GLAZING SEALANT DOW 999-A PART# 80050020	SILICONE
22	SELF-LATCHING THUMB TURN PART# 20090081	STEEL
23	PULL HANDLE PART# 65103300	STEEL
24	THUMB TURN DEADBOLT PART# 20090086	STEEL
25	GLAZING FOAM TAPE PART# 20200166	BUTYL
26	RUBBER SEAL "D" SHAPPED PART# 40040004	-
27	INSIDE FACE PANEL PART# 66121200	-
28	OUTSIDE FRONT FACE PANEL PART# 56121100	-
29	OUTSIDE SIDE FACE PANEL PART# 66120900	-
30	ARMOR PANEL	-
31	ARMOR STRIP	-
32	GLAZING TAPE 1/2" X .063" PART# 202001155	BUTYL
33	TOP CAP PART# 6122500	-
34	INSULATION PANEL	-
35	COUNTER PART# 96120500	STAIN/STL
37	4X4 GANG BOX	-
38	SPEAKER POWER SUPPLY	-
39	INSIDE MASTER SPEAKER	-
40	OUTSIDE SPEAKER W/HOOKUP WIRE PRE INSTALLED PART# 20110021	-
41	PASS- THRU DRAWER PART# 96130000	-
43	ANGLED SHELF BRACKET	-
44	ROLLER MTG. BOLT 1/4"-20 X 3/4" HEX HEAD MS	-
45	ROLLER MTG. NUT 1/4"-20 NYLON LOCKING NUT	-
46	INSIDE FACE PANEL PART# 66122800	-
47	ARMOR PANEL PART# 66125400	-
50	SHIM 1/4" THK. MAX.	WOOD



Documents Prepared By:
RW BUILDING CONSULTANTS, INC.
P.O. Box 230 Valrico FL 33595
Phone No.: 813.659.9197
Florida Board of Professional Engineers
Certificate Of Authorization No. 9813
Lyndon F. Schmidt, P.E. No. 43409

PRODUCT:
READY ACCESS
DRIVE THROUGH WINDOW
"IMPACT"

PART OR ASSEMBLY:
BILL OF MATERIALS, COMPONENTS
& GLAZING DETAILS

NO.	DATE	BY	REVISIONS

DATE: 9/10/08
SCALE: N.T.S.
DWG. BY: DT
CHK. BY: LFS
DRAWING NO.: FL-5102.1
SHEET 9 OF 9